

OVERVIEW

The SM5865CM is a 24-bit input D/A converter LSI for high-quality digital audio equipment. It comprises newly developed DEM (dynamic element matching) circuits, 3rd-order ΣΔ noise shaper and 31-level quantizer to realize super low total harmonic distortion and wide dynamic range. Also, the device is widely reduced residual quantization noise up to high-frequency bandwidth in the audio band so the order of the required final-stage analog lowpass filter can be reduced, making it ideal for application with high-frequency sampling format. The output stage employs differential current outputs for high-accuracy analog signals, with appropriate lowpass filtering of the output signal. This device can be used in combination with an 8-times oversampling digital filter of SM5847AF and others like that for the compatibility with 192kHz sampling format.

FEATURES

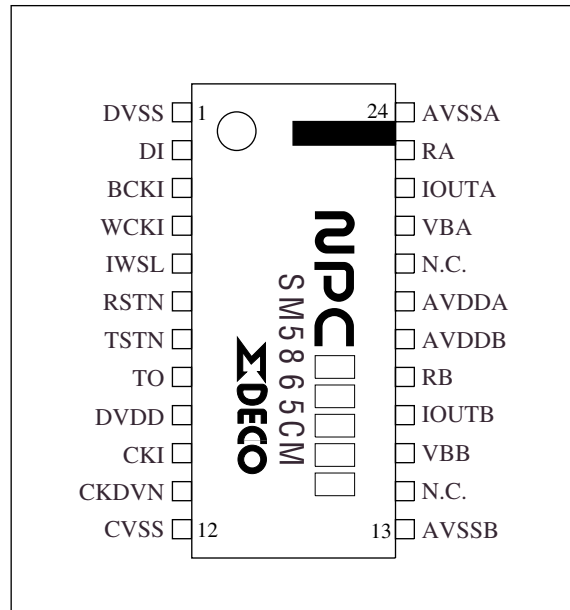
- Mono-channel D/A converter LSI
- High performance
 - 0.00030 % (-110.5dB) typ. THD + N
 - 117 dB typ. Dynamic range
 - 120 dB typ. S/N
- Input interface
 - 20 or 24-bit word length
 - MSB first, right-justified format
 - 8 or 4 times oversampling at $f_s = 16/32/44.1/48/88.2/96/176.4/192$ kHz
- System clock frequency
 - 192/256/384/512/768/1024 fs
- Single 5 V operating supply voltage
- 24-pin SSOP package
- Molybdenum-gate CMOS process

ORDERING INFORMATION

| Device | Package |
|----------|-------------|
| SM5865CM | 24-pin SSOP |

PINOUT

(Top view)

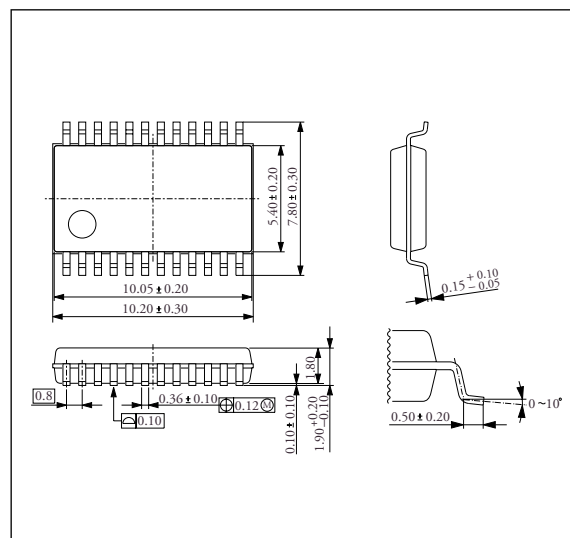


PACKAGE DIMENSIONS

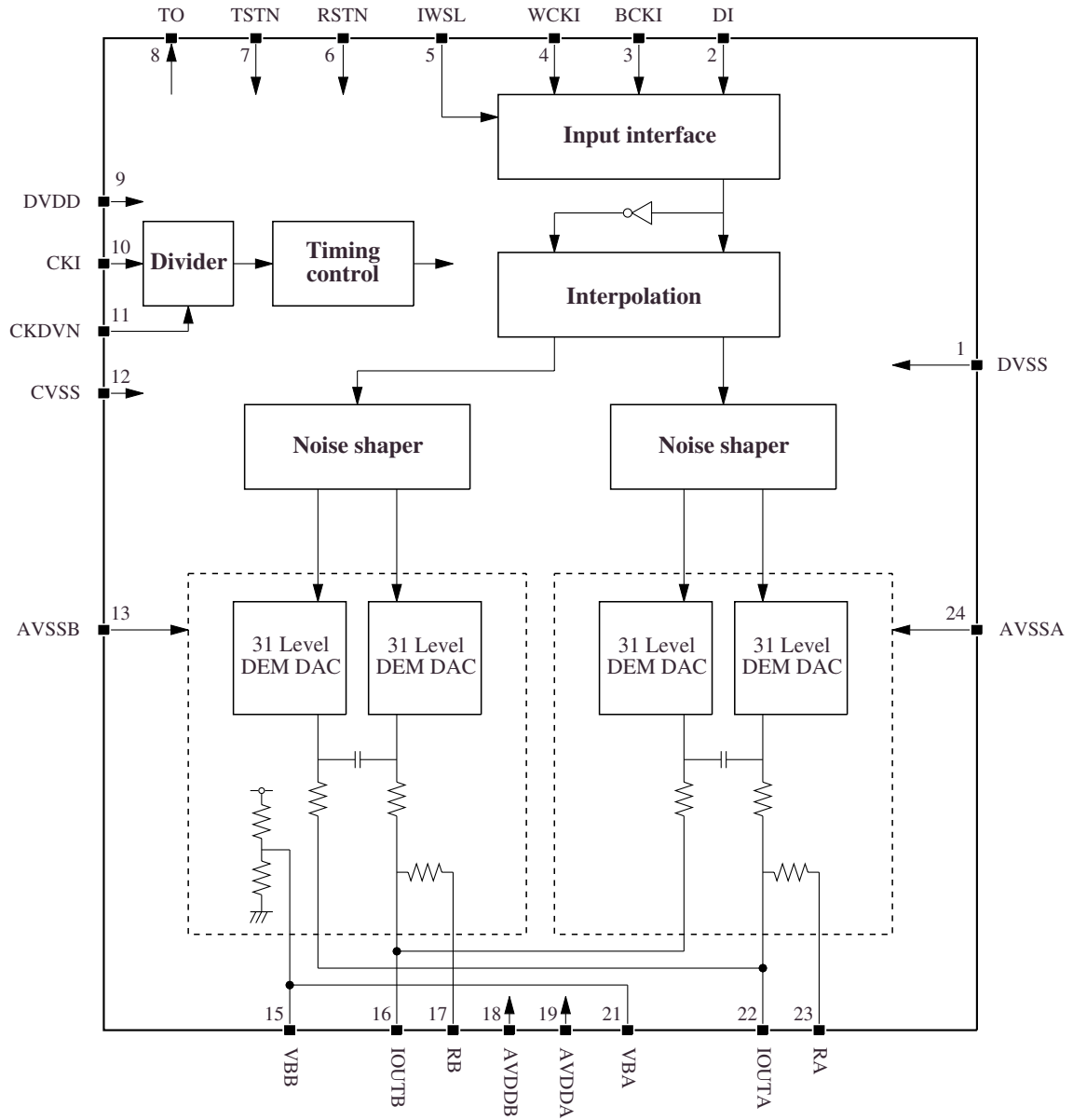
(Unit: mm)

Weight: 0.23g

24-pin SSOP



BLOCK DIAGRAM



PIN DESCRIPTION

| Number | Name | I/O | Description |
|--------|-------|-----|-----------------------------------------------------------------------------------------------------------------------|
| 1 | DVSS | – | Digital ground |
| 2 | DI | I | Data input |
| 3 | BCKI | I | Bit clock input |
| 4 | WCKI | I | Word clock input |
| 5 | IWSL | Ip | Input data word length select. 24-bit when HIGH, and 20-bit when LOW. |
| 6 | RSTN | Ip | System reset. Reset when LOW. |
| 7 | TSTN | Ip | Test pin. Tie HIGH or leave open for normal operation. |
| 8 | TO | O | Test output |
| 9 | DVDD | – | Digital supply |
| 10 | CKI | I | System clock input |
| 11 | CKDVN | Ip | System clock frequency divider ratio select. 1 when HIGH (no division), and 2 when LOW (half of the input frequency). |
| 12 | CVSS | – | System clock ground |
| 13 | AVSSB | – | Analog ground B |
| 14 | N. C. | – | Leave open for no connection or connect with ground |
| 15 | VBB | O | 1/2 supply output B |
| 16 | IOUTB | O | Inverse-phase analog output B |
| 17 | RB | I | Built-in resistor connection B |
| 18 | AVDDB | – | Analog supply B |
| 19 | AVDDA | – | Analog supply A |
| 20 | N. C. | – | Leave open for no connection or connect with ground |
| 21 | VBA | O | 1/2 supply output A |
| 22 | IOUTA | O | In-phase analog output A |
| 23 | RA | I | Built-in resistor connection A |
| 24 | AVSSA | – | Analog ground A |

Ip : Pull-up input

SPECIFICATIONS

Absolute Maximum Ratings

DVSS = AVSSA = AVSSB = CVSS = 0 V, DVDD = AVDDA = AVDDB

| Parameter | Symbol | Rating | Unit |
|----------------------------------|--------------------|--------------------------|------|
| Supply voltage range | DVDD, AVDDA, AVDDB | -0.3 to 7.0 | V |
| Input voltage range ¹ | V _{IN} | DVSS - 0.3 to DVDD + 0.3 | V |
| Storage temperature range | T _{stg} | -55 to 125 | °C |
| Power dissipation | P _D | 250 | mW |

1. Pins DI, BCKI, WCKI, CKDVN, IWSL, RSTN, TSTN.

Also applicable during supply switching.

Recommended Operating Conditions

DVSS = AVSSA = AVSSB = CVSS = 0 V, DVDD = AVDDA = AVDDB

| Parameter | Symbol | Rating | Unit |
|-----------------------------|-------------------------------------------------------------------------------------------------------------------------------------------------------|------------|------|
| Supply voltage range | DVDD, AVDDA, AVDDB | 4.5 to 5.5 | V |
| Supply voltage variation | DVDD - AVDDA, DVDD - AVDDB, AVDDA - AVDDB, DVSS - AVSSA, DVSS - AVSSB, AVSSA - AVSSB, DVSS - CVSS, AVSSA - CVSS, AVSSB - CVSS | ±0.1 | V |
| Operating temperature range | T _{opr} | -40 to 85 | °C |

DC Electrical Characteristics

Recommended operating conditions, unless otherwise specified.

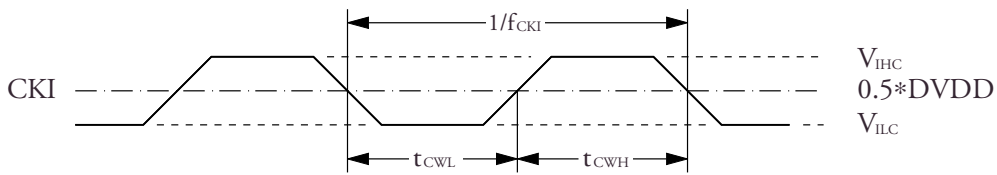
| Parameter | Symbol | Condition | Rating | | | Unit |
|---------------------------------------------------|-------------------|--------------------------------|------------|-----|------------|------|
| | | | min | typ | max | |
| DVDD, AVDDA, AVDDB supply current ¹ | I _{DD} | f _{CKI} = 11.2896 MHz | – | 7 | 11 | mA |
| | | f _{CKI} = 16.9344 MHz | – | 10 | 14 | mA |
| | | f _{CKI} = 24.576 MHz | – | 15 | 19 | mA |
| | | f _{CKI} = 36.864 MHz | – | 21 | 26 | mA |
| CKI HIGH-level input voltage | V _{IHC} | | 0.7 × DVDD | – | – | V |
| CKI LOW-level input voltage | V _{ILC} | | – | – | 0.3 × DVDD | V |
| CKI input voltage | V _{INAC} | AC coupling | 1.0 | – | – | Vp-p |
| HIGH-level input voltage ² | V _{IH} | | 2.4 | – | – | V |
| LOW-level input voltage ² | V _{IL} | | – | – | 0.5 | V |
| HIGH-level output voltage ³ | V _{OH} | I _{OH} = –1 mA | DVDD – 0.4 | – | – | V |
| LOW-level output voltage ³ | V _{OL} | I _{OL} = 1 mA | – | – | 0.4 | V |
| CKI HIGH-level input current | I _{IHC} | V _{IN} = DVDD | 30 | 60 | 120 | μA |
| CKI LOW-level input current | I _{ILC} | V _{IN} = 0 V | 30 | 60 | 120 | μA |
| LOW-level input current ⁴ | I _{IL2} | V _{IN} = 0 V | – | 5 | 15 | μA |
| HIGH-level input leakage current ⁵ | I _{IH1} | V _{IN} = DVDD | – | – | 1.0 | μA |
| LOW-level input leakage current ⁵ | I _{IL1} | V _{IN} = 0 V | – | – | 1.0 | μA |
| HIGH-level input leakage current ⁴ | I _{IH2} | V _{IN} = DVDD | – | – | 1.0 | μA |

1. No output load, NPC-standard input data pattern.
2. Pins DI, BCKI, WCKI, CKDVN, IWSL, RSTN, TSTN.
3. Pin TO.
4. Pins CKDVN, IWSL, RSTN, TSTN.
5. Pins DI, BCKI, WCKI.

AC Electrical Characteristics

System clock Input (CKI)

| Parameter | Symbol | Rating | | | Unit |
|-----------------------------|-----------|--------|-----|-----|------|
| | | min | typ | max | |
| CKI clock frequency | f_{CKI} | 5 | – | 60 | MHz |
| HIGH-level clock pulsewidth | t_{CWH} | 5 | – | – | ns |
| LOW-level clock pulsewidth | t_{CWL} | 5 | – | – | ns |



Internal System Clock

| Parameter | Symbol | Condition | Rating | | | Unit |
|---------------------------------|-----------|-----------|--------|-----|-----|------|
| | | | min | typ | max | |
| Internal system clock frequency | f_{SYS} | | 5 | – | 46 | MHz |

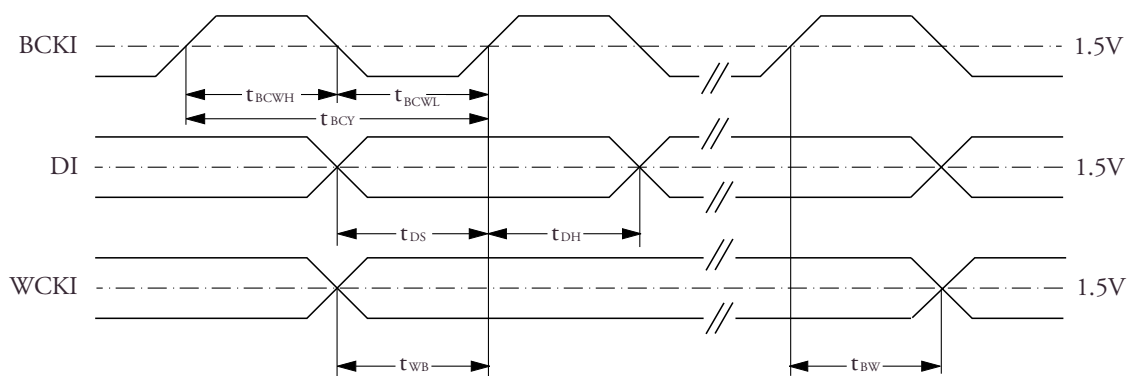
Internal system clock frequency is the same as the CKI clock frequency when CKDVN = HIGH.
 Internal system clock frequency is half the CKI clock frequency when CKDVN = LOW.

Reset Input (RSTN)

| Parameter | Symbol | Condition | Rating | | | Unit |
|---------------------------|------------|----------------|--------|-----|-----|---------|
| | | | min | typ | max | |
| RSTN LOW-level pulsewidth | t_{RSTN} | At power ON | 1 | – | – | μ s |
| | | After power ON | 100 | – | – | ns |

Serial input (BCKI, DI, WCKI)

| Parameter | Symbol | Rating | | | Unit |
|-------------------------------------|------------|--------|-----|-----|------|
| | | min | typ | max | |
| BCKI HIGH-level pulsewidth | t_{BCWH} | 10 | – | – | ns |
| BCKI LOW-level pulsewidth | t_{BCWL} | 10 | – | – | ns |
| BCKI pulse cycle | t_{BCY} | 22 | – | – | ns |
| DI setup time | t_{DS} | 5 | – | – | ns |
| DI hold time | t_{DH} | 5 | – | – | ns |
| WCKI edge to first BCKI rising edge | t_{WB} | 10 | – | – | ns |
| Last BCKI rising edge to WCKI edge | t_{BW} | 10 | – | – | ns |



Group Delay

| Parameter | Symbol | Condition | Rating | | | Unit |
|--------------------------|----------|-----------|--------|-----|-------|------|
| | | | min | typ | max | |
| Group delay ¹ | T_{gd} | | – | – | 2/fsi | s |

1. fsi is the input sampling rate of SM5865CM.

For example, fsi is 384kHz when this LSI is used in combination with an 8-times oversampling digital filter of which input sampling rate is 48kHz.

AC Analog Characteristics

Measurement Conditions

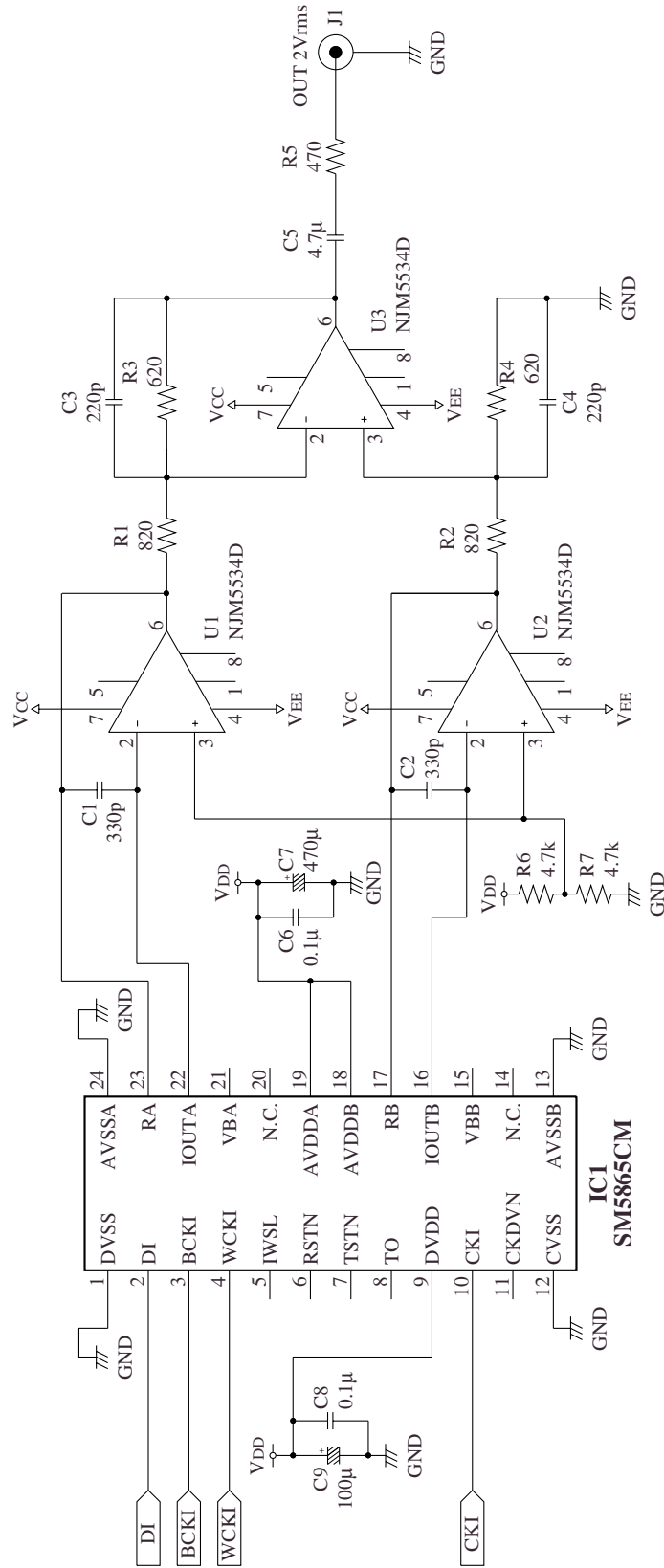
- External 8fs digital filter : NPC SM5847AF
- External operational amplifier : JRC NJM5534D
- Supply voltage SM5865CM : DVDD = AVDDA = AVDDDB = 5V,
DVSS = AVSSA = AVSSB = CVSS = 0V
- SM5847AF : + 3.3V
- NJM5534D : ± 15V
- Ambient temperature : 25 °C
- Input data of SM5847AF : 48kHz sampling (fs), 24-bit data
- System clock : 24.576MHz (= 512fs), (64fs noise shaper operation)
- Audio analyzer : Audio Precision System Two (RMS mode)
- Measurement filter condition : THD + N 22HzHPF, 20kHzLPF (FLP-A20K)
- : D.R 22HzHPF, 22kHzLPF, A-weight (FIL-AWT)
- : S/N 22HzHPF, 22kHzLPF, A-weight (FIL-AWT)
- Measurement circuits diagram : See next page.

Analog Characteristics

| Parameter | Symbol | Condition | Rating | | | Unit |
|---------------------------|------------------|----------------|--------|------------------------|------------------------|--------|
| | | | min | typ | max | |
| Output level ¹ | V _{out} | 1 kHz, 0 dB | 1.28 | 1.33 | 1.38 | Vrms |
| Total harmonic distortion | THD + N | 1 kHz, 0 dB | - | 0.00030 (- 110.5dB) | 0.00060 (- 104.4dB) | % |
| Dynamic range | D.R | 1 kHz, -60 dB | 111 | 117 | - | dB |
| Signal-to-noise ratio | S/N | 1 kHz, 0/-∞ dB | 117 | 120 | - | dB |
| Gain drift | G.D | | - | 10 | - | ppm/°C |

1. V_{out} is the output level of the first I-V conversion stage.

Measurement circuit



Dynamics Characteristics (under Measurement Conditions in page 8)

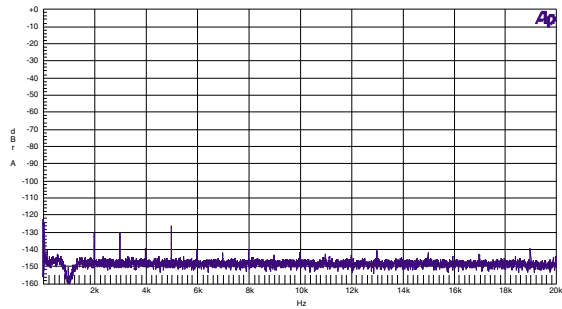


Figure 1. 0dB input FFT (1)
(1kHz notchfilter 32768point 8average)

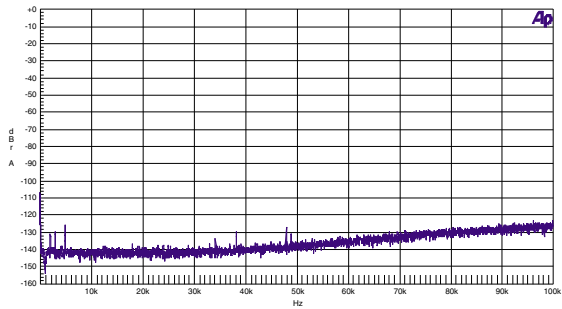


Figure 2. 0dB input FFT (2)
(1kHz notchfilter 32768point 8average)

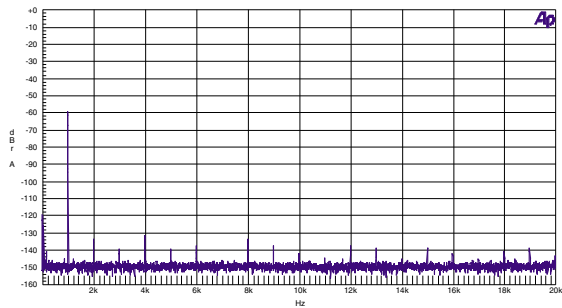


Figure 3. -60dB input FFT (32768point 8average)

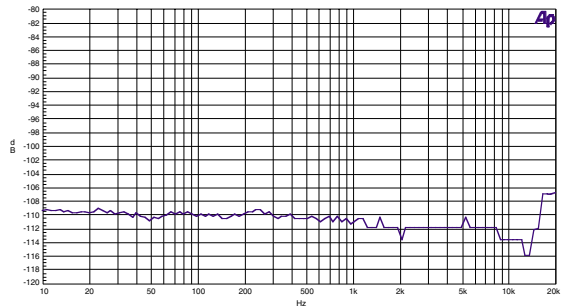


Figure 4. THD + N vs. Frequency

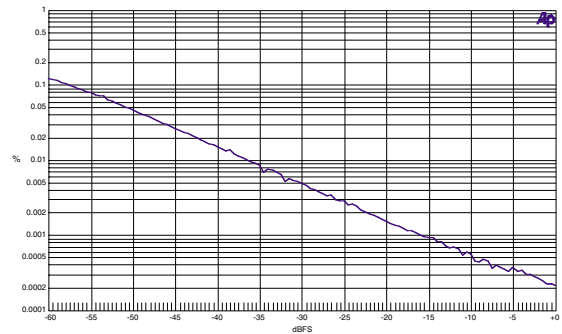


Figure 5. THD + N(%) vs. Amplitude

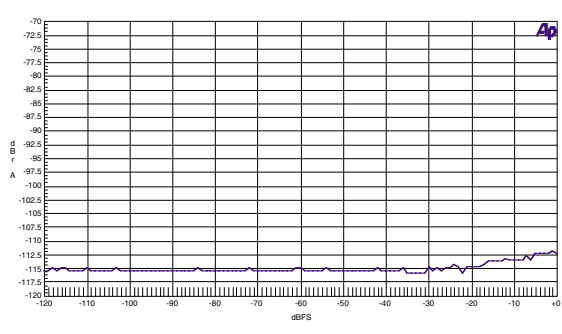


Figure 6. THD + N (dB) vs. Amplitude

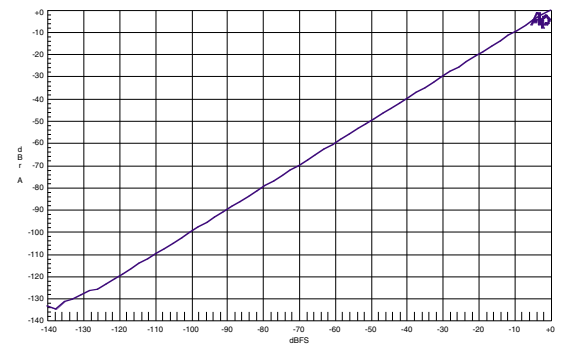


Figure 7. Linearity

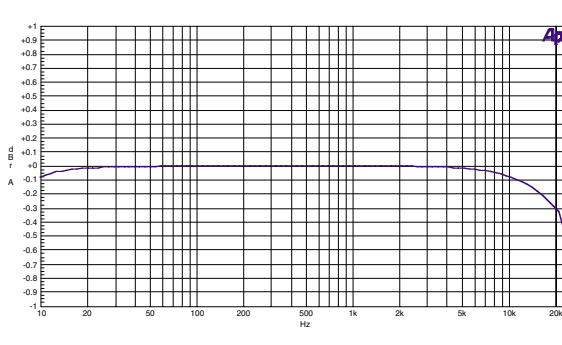


Figure 8. Evaluation Board Frequency Response

FUNCTIONAL DESCRIPTION

Analog Outputs

IOUTA, IOUTB

The SM5865CM input data in-phase signal is processed by noise shaper A and 31-level DEM-DAC with current output on differential output A, and input data reverse-phase signal is processed by noise shaper B and 31-level DEM-DAC with current output on differential output B. Differential outputs A and B also have separate in-phase and reverse-phase outputs: A in-phase output and B reverse-phase output are connected internally and output on IOUTA, and B in-phase output and A reverse-phase output are connected internally and output on IOUTB.

The IOUTA and IOUTB current outputs are I/V converted by external circuit and then input to a differential input op-amp to obtain the final analog signal.

RA, RB

Internal resistors are connected between IOUTA and RA pins and between IOUTB and RB pins, which serve as the op-amp feedback resistors. The feedback resistors have a resistance of 4.7k Ω .

The I/V converter output gain can be adjusted by connecting external resistors in parallel or serial with the internal resistors. Note, however, that the internal resistance can vary from device to device by $\pm 10\%$, and if external resistors are used, the output level changes depending on the difference between each resistor ratio. If the I/V converter gain is increased, a dynamic range higher even than that given in “Analog Characteristics (page 8)” can be obtained.

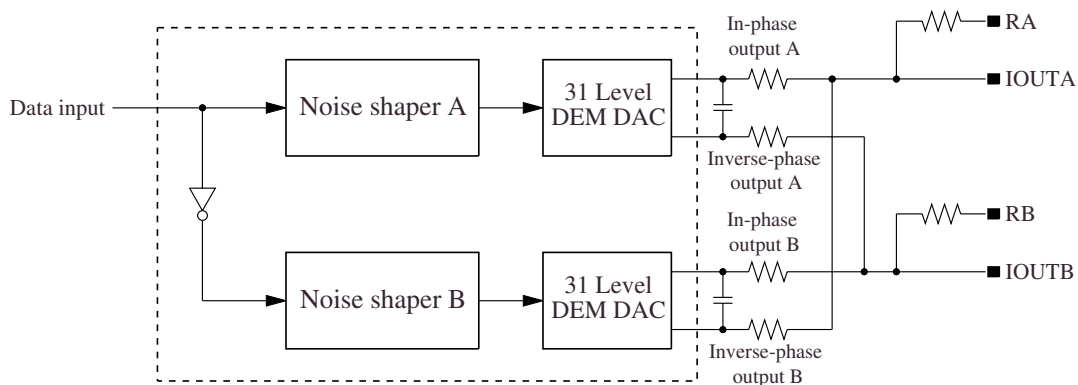


Figure 9. Analog outputs

VBA, VBB

A 0.5VDD signal is output from VBA, VBB using a resistor divider network. Using these pins allows the use of the SM5865CM to replace the pin-compatible SM5865BM product.

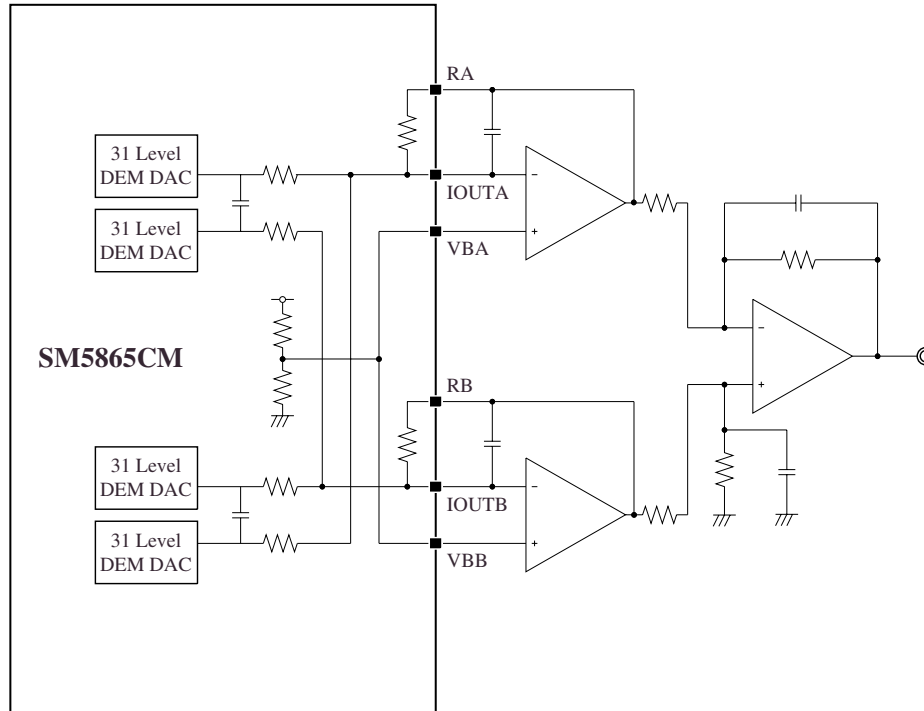


Figure 10. VBA, VBB

Audio Data Input (DI, BCKI, WCKI, IWSL)

■ Input data format

The audio data is input in MSB-first, 2s-complement, 24-bit/20-bit serial format. The input word bit length is selected by IWSL, 24-bit when HIGH, and 20-bit when LOW.

■ Jitter-free function

The SM5865CM serial input data from DI synchronize with the word clock (WCKI) and are read into the first register stage, and those also synchronize with the clock derived from divided system clock and are read into the next register stage. This word clock and the system clock are always phase compared. When a phase shift was detected, the comparison result is used to perform input timing adjustment in the system clock. Therefore this process enable internal calculations not to be affected by generated large jitter on the word clock or changing the sampling rate during inputting data.

System Clock Divider (CKDVN)

The SM5865CM has a built-in clock frequency divider. The divider enables the internal system clock to operate at half the input frequency, for example when the external system clock input frequency is high.

System Reset (RSTN)

The device should be reset in the following cases.

- At power ON
- When the system clock CKI stops, or other abnormalities occur.

The device is reset by applying a LOW-level pulse on RSTN.

Theoretical Quantization Noise Reduction

The SM5865CM employs a 3rd-order 31-level quantized noise shaper to widely reduce quantization noise in the audio band to the high frequency bandwidth. The theoretical quantization noise level at 16fs to 96fs operation is shown in figure 11.

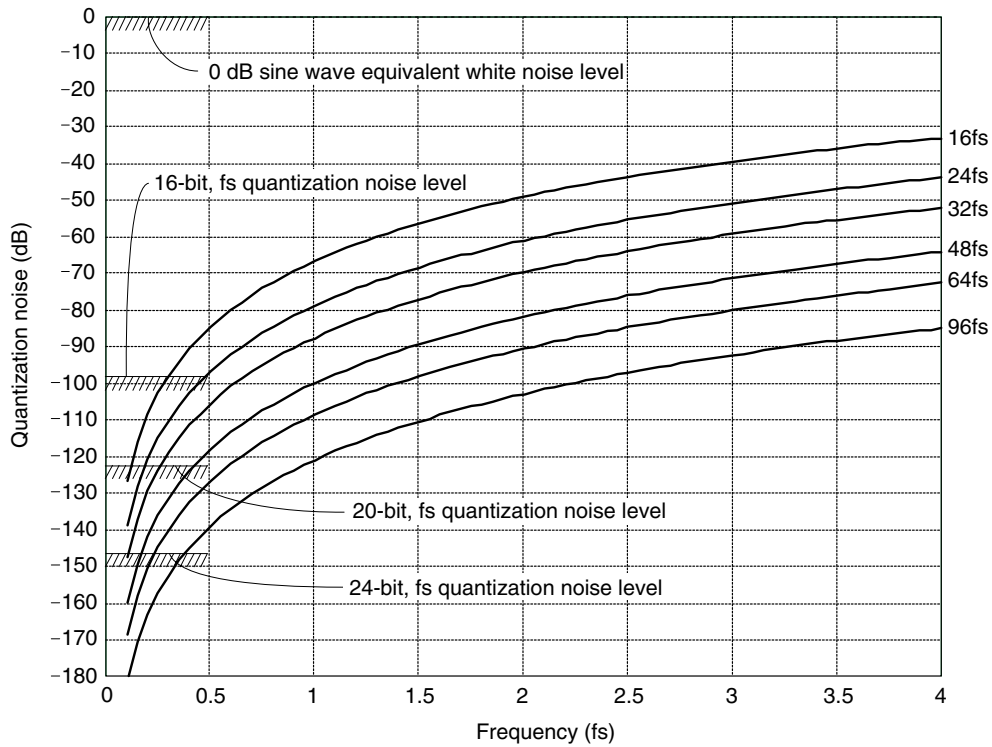


Figure 11. Theoretical quantization noise level

Internal Oversampling Operation

The SM5865CM accepts data output from an 8-times or 4-times oversampling digital filter, and oversampled internally again up to the noise shaper operating rate. The internal oversampling factor is determined automatically from the system clock input frequency and the input sampling frequency. This internal oversampling factor (n) must be an integer satisfying the conditions shown in table 1.

Table 1. Operating conditions

| Parameter | CKDVN = HIGH | CKDVN = LOW |
|-------------------------------------------------------------|------------------------------------------------------------------|-------------------------------------------------------------------|
| f_{WCKI} and f_{CKI} compulsory conditions ¹ | $f_{CKI} = f_{WCKI} \times 8 \times n$ where n = 1, 2, 3, ... | $f_{CKI} = f_{WCKI} \times 16 \times n$ where n = 1, 2, 3, ... |
| Noise shaper operating frequency | $f_{ns} = f_{WCKI} \times n = \frac{f_{CKI}}{8}$ | $f_{ns} = f_{WCKI} \times n = \frac{f_{CKI}}{16}$ |

1. f_{WCKI} = word clock frequency, f_{CKI} = input system clock frequency, n = internal oversampling factor

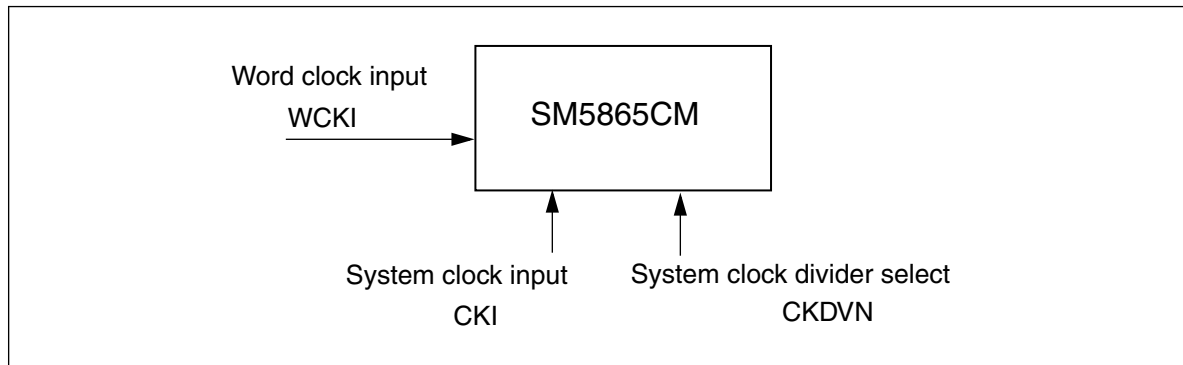


Figure 12. Clock-related inputs

System Clock Frequencies

Table 2 shows some possible combinations for the circuit configuration shown in figure 13.

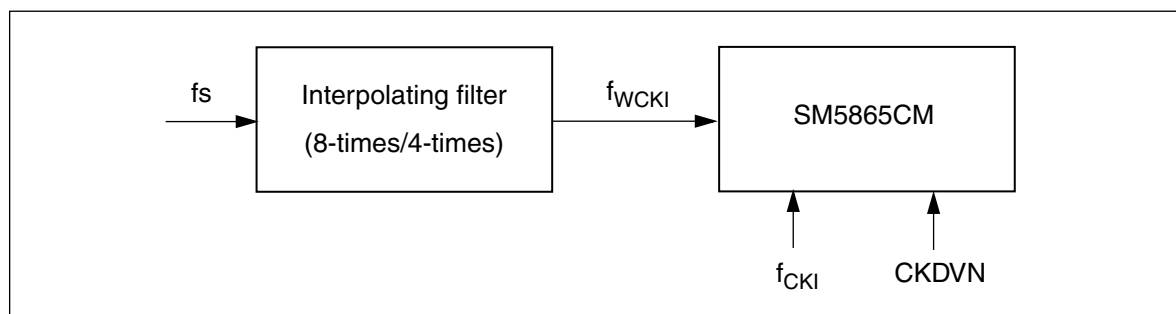


Figure 13. Circuit configuration

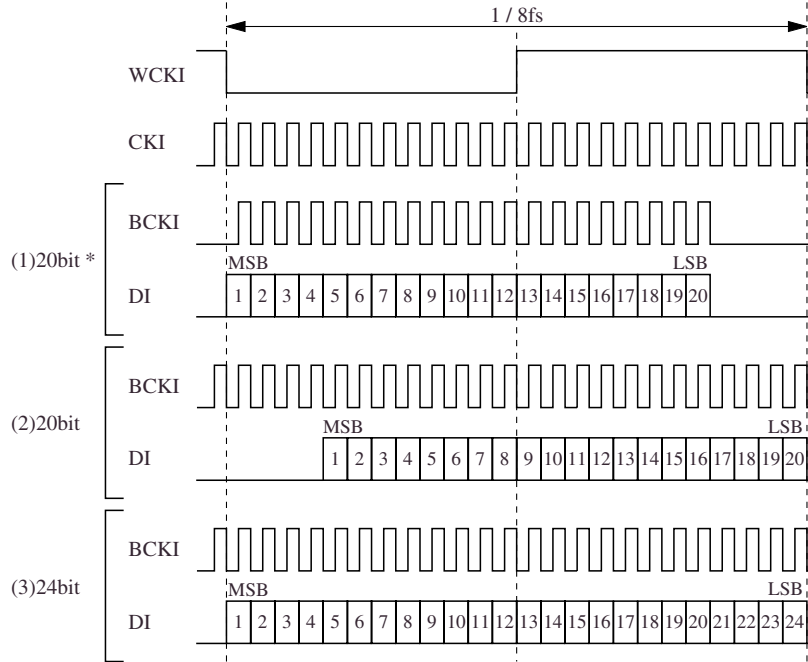
Table 2. System clock frequencies (CKDVN = HIGH)

| fs | System clock frequency ¹ f _{CK1} | Noise shaper operating rate | Internal factor (8fs input) | Internal factor (4fs input) |
|-----------|---------------------------------------------------------|--------------------------------|--------------------------------|--------------------------------|
| 16 kHz | 6.144 MHz (384fs) | 48fs | 6 | 12 |
| 16 kHz | 8.192 MHz (512fs) | 64fs | 8 | 16 |
| 16 kHz | 12.288 MHz (768fs) | 96fs | 12 | 24 |
| 32 kHz | 6.144 MHz (192fs) | 24fs | 3 | 6 |
| 32 kHz | 8.192 MHz (256fs) | 32fs | 4 | 8 |
| 32 kHz | 12.288 MHz (384fs) | 48fs | 6 | 12 |
| 32 kHz | 16.384 MHz (512fs) | 64fs | 8 | 16 |
| 32 kHz | 24.576 MHz (768fs) | 96fs | 12 | 24 |
| 44.1 kHz | 8.4672 MHz (192fs) | 24fs | 3 | 6 |
| 44.1 kHz | 11.2896 MHz (256fs) | 32fs | 4 | 8 |
| 44.1 kHz | 16.9344 MHz (384fs) | 48fs | 6 | 12 |
| 44.1 kHz | 22.5792 MHz (512fs) | 64fs | 8 | 16 |
| 44.1 kHz | 33.8688 MHz (768fs) | 96fs | 12 | 24 |
| 48 kHz | 9.216 MHz (192fs) | 24fs | 3 | 6 |
| 48 kHz | 12.288 MHz (256fs) | 32fs | 4 | 8 |
| 48 kHz | 18.432 MHz (384fs) | 48fs | 6 | 12 |
| 48 kHz | 24.576 MHz (512fs) | 64fs | 8 | 16 |
| 48 kHz | 36.864 MHz (768fs) | 96fs | 12 | 24 |
| 88.2 kHz | 16.9344 MHz (192fs) | 24fs | 3 | 6 |
| 88.2 kHz | 22.5792 MHz (256fs) | 32fs | 4 | 8 |
| 88.2 kHz | 33.8688 MHz (384fs) | 48fs | 6 | 12 |
| 88.2 kHz | 45.1584 MHz (512fs) | 64fs | 8 | 16 |
| 96 kHz | 18.432 MHz (192fs) | 24fs | 3 | 6 |
| 96 kHz | 24.576 MHz (256fs) | 32fs | 4 | 8 |
| 96 kHz | 36.864 MHz (384fs) | 48fs | 6 | 12 |
| 176.4 kHz | 33.8688 MHz (192fs) | 24fs | 3 | 6 |
| 176.4 kHz | 45.1584 MHz (256fs) | 32fs | 4 | 8 |
| 192 kHz | 36.864 MHz (192fs) | 24fs | 3 | 6 |

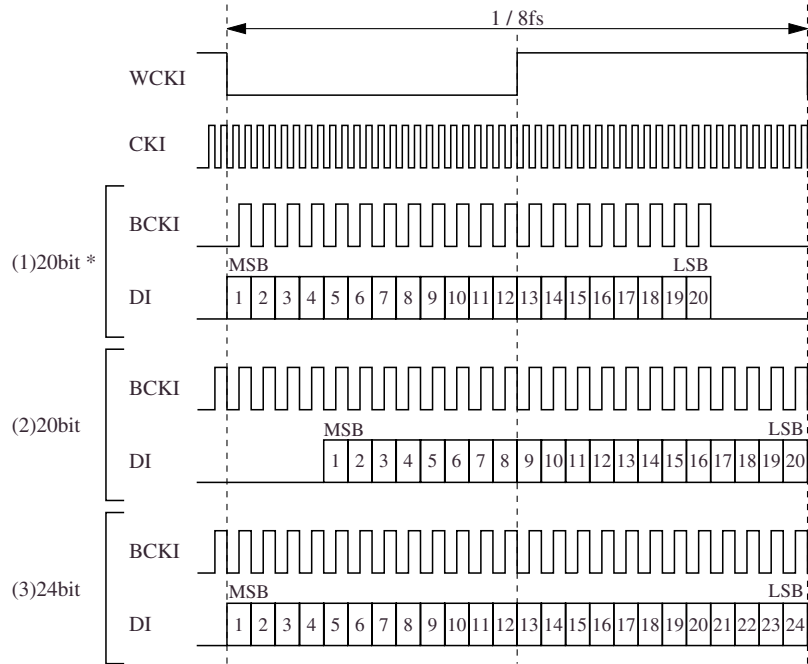
1. When CKDVN = LOW, the system clock frequency f_{CK1} is halved, so the values shown are half the input frequency required for the same sampling rate and internal factors.

TIMING DIAGRAMS

192fs System Clock Input Timing

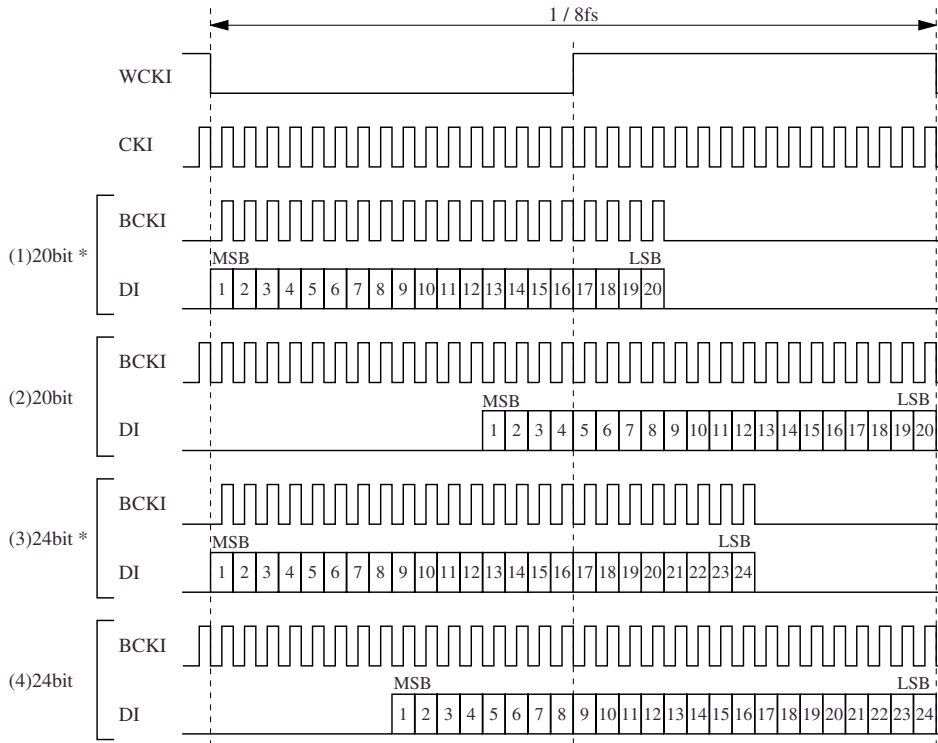


384fs System Clock Input Timing

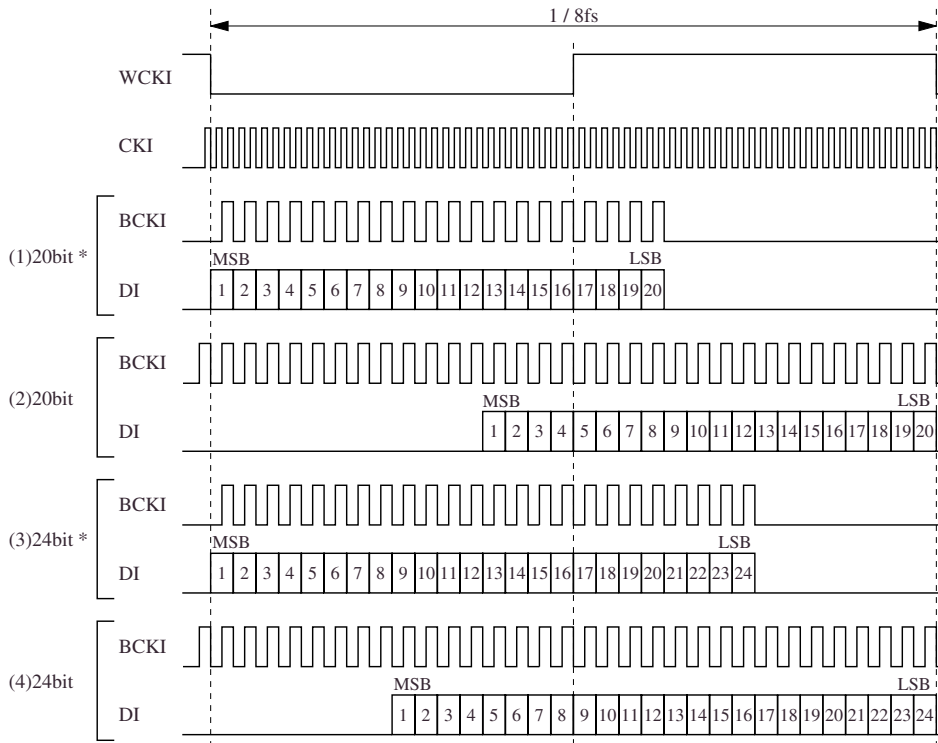


*: Data can be input at any period within the word clock cycle.

256fs System Clock Input Timing



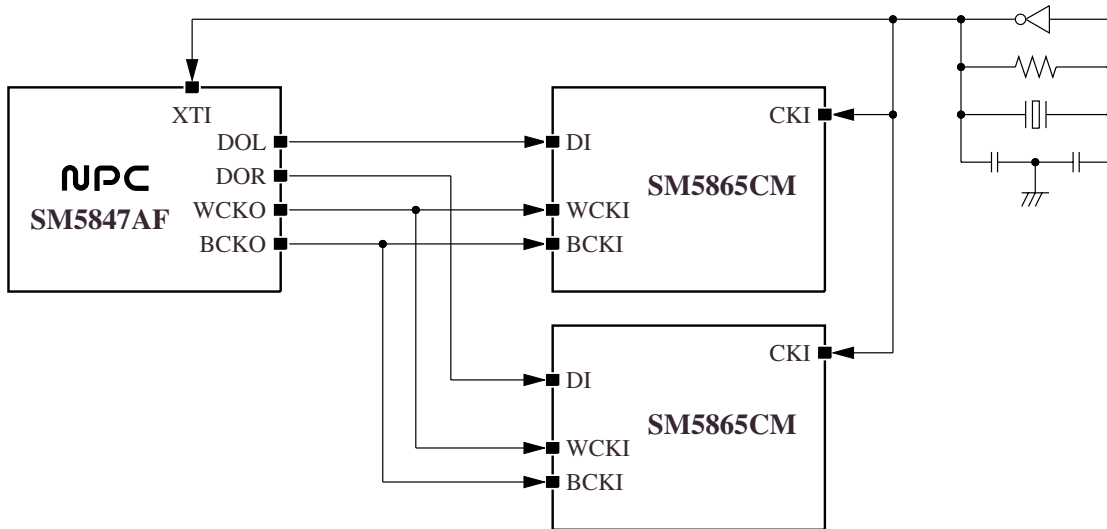
512fs System Clock Input Timing



*: Data can be input at any period within the word clock cycle.

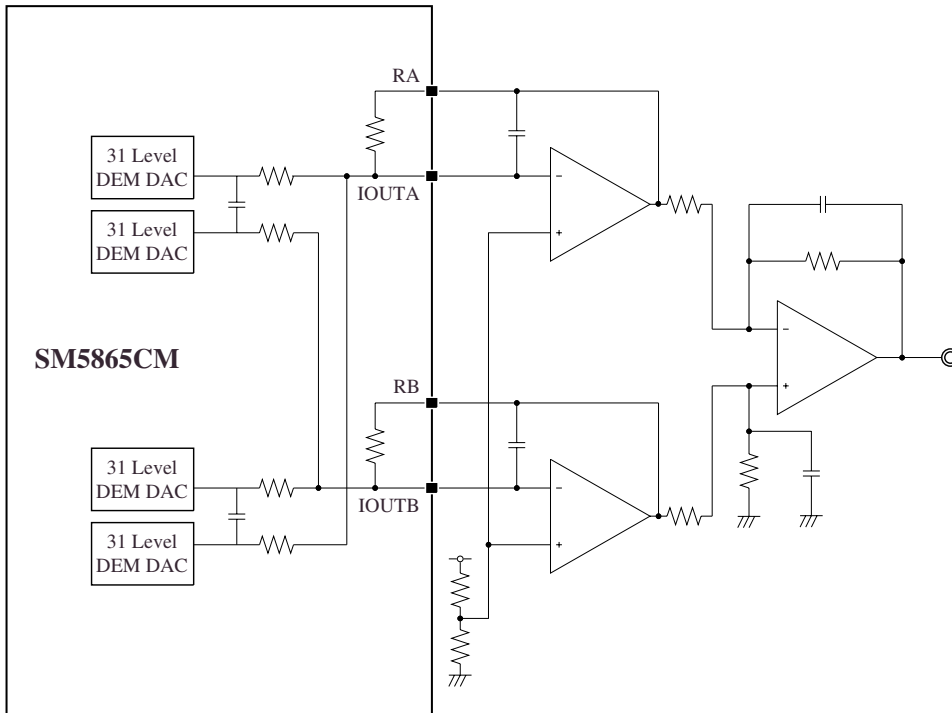
TYPICAL APPLICATIONS

Input Interface Circuit

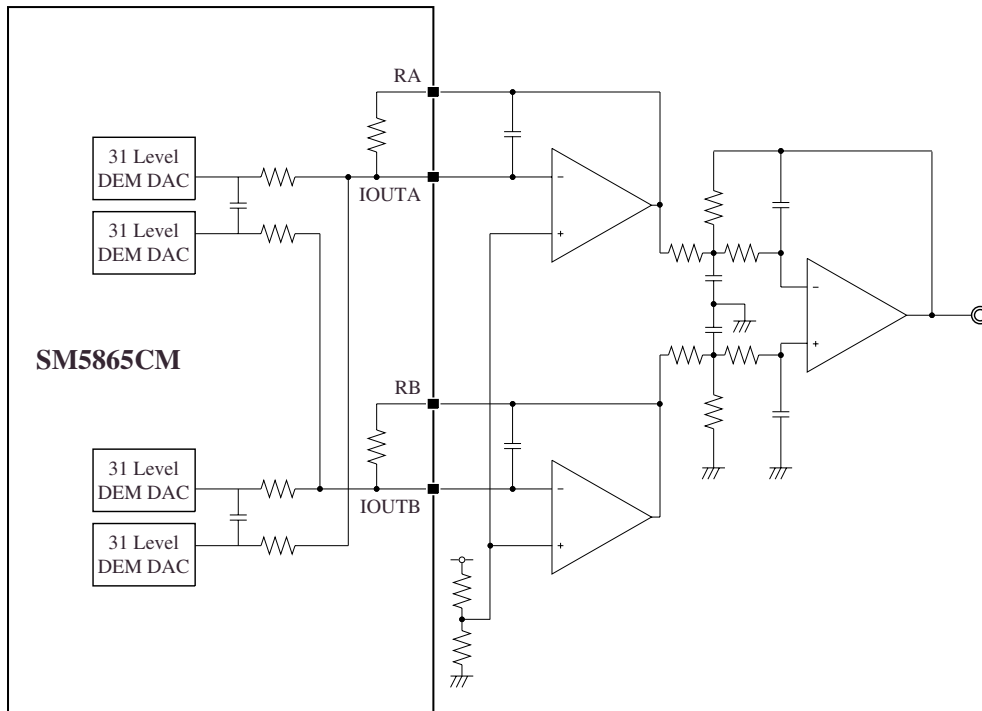


Analog Output Circuits

Analog Output Circuit 1



Analog Output Circuit 2



Note that the output analog characteristics and other specifications are not guaranteed for particular formats or application circuits.
 Note that NPC has no responsibility for patents related to application circuits in these datasheets.

NIPPON PRECISION CIRCUITS INC. reserves the right to make changes to the products described in this data sheet in order to improve the design or performance and to supply the best possible products. Nippon Precision Circuits Inc. assumes no responsibility for the use of any circuits shown in this data sheet, conveys no license under any patent or other rights, and makes no claim that the circuits are free from patent infringement. Applications for any devices shown in this data sheet are for illustration only and Nippon Precision Circuits Inc. makes no claim or warranty that such applications will be suitable for the use specified without further testing or modification. The products described in this data sheet are not intended to use for the apparatus which influence human lives due to the failure or malfunction of the products. Customers are requested to comply with applicable laws and regulations in effect now and hereinafter, including compliance with export controls on the distribution or dissemination of the products. Customers shall not export, directly or indirectly, any products without first obtaining required licenses and approvals from appropriate government agencies.



NIPPON PRECISION CIRCUITS INC.

4-3, Fukuzumi 2-chome
Koto-ku, Tokyo 135-8430, Japan
Telephone: +81-3-3642-6661
Facsimile: +81-3-3642-6698
<http://www.npc.co.jp/>
Email: sales@npc.co.jp

NC0019BE 2001.02